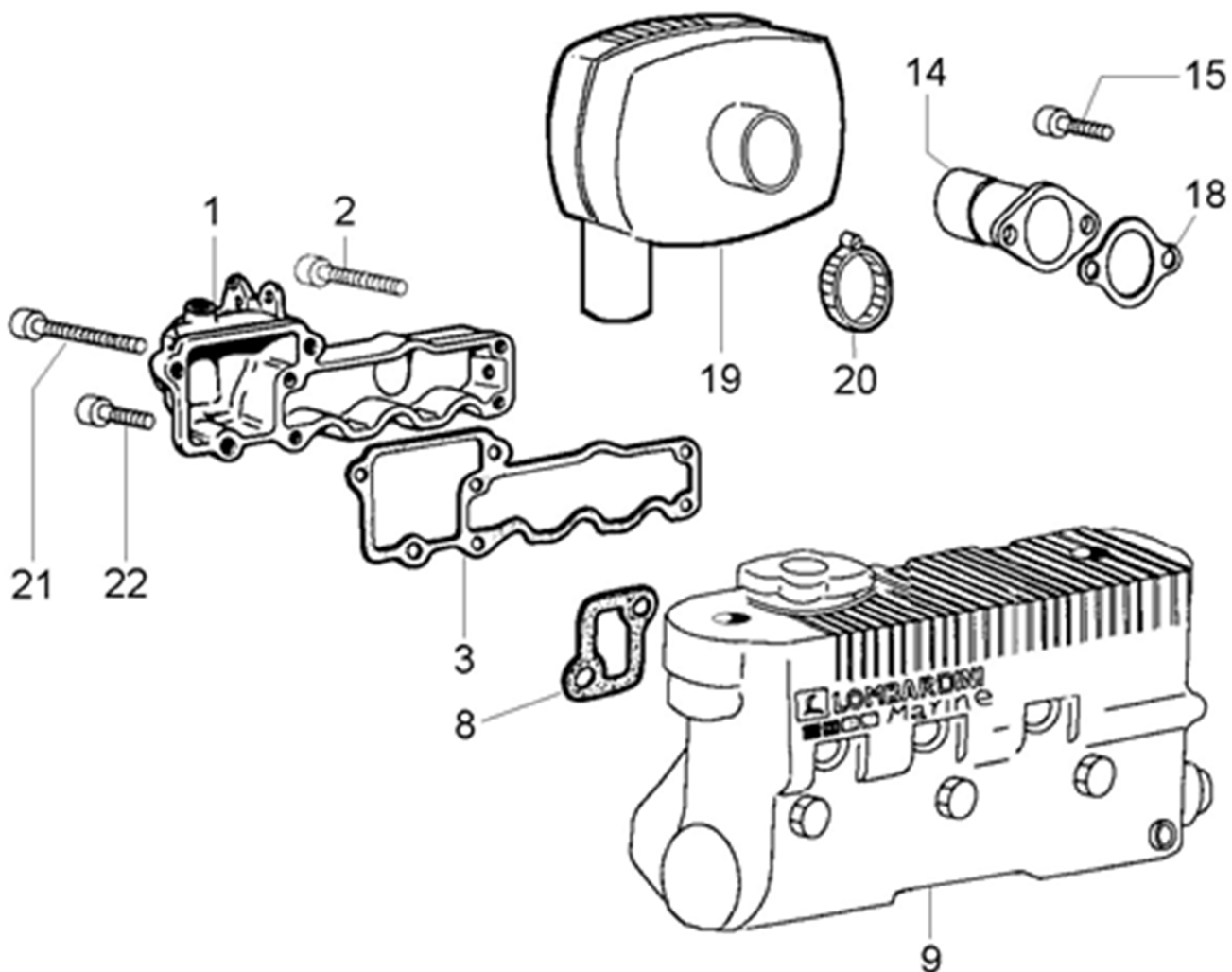


Tafel: A

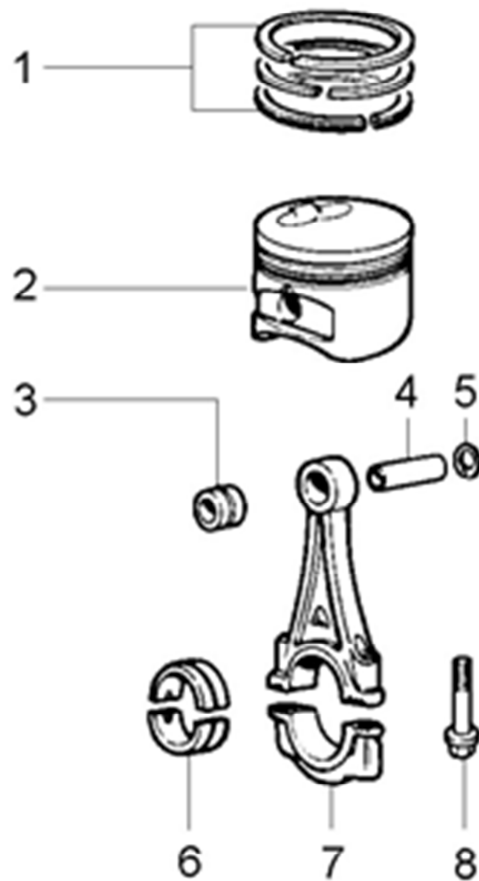
- 1 inlet manifold
- 2 screw m 8 x 1,25 x 45
- 3 gasket
- 8 gasket
- 9 radiator ex 243
- 14 flange ex 083
- 15 screw
- 18 gasket
- 19 complete air filter
- 20 clamp dia. 60 inox
- 21 screw m 8 x 60
- 22 screw



Tafel A

Tafel: B

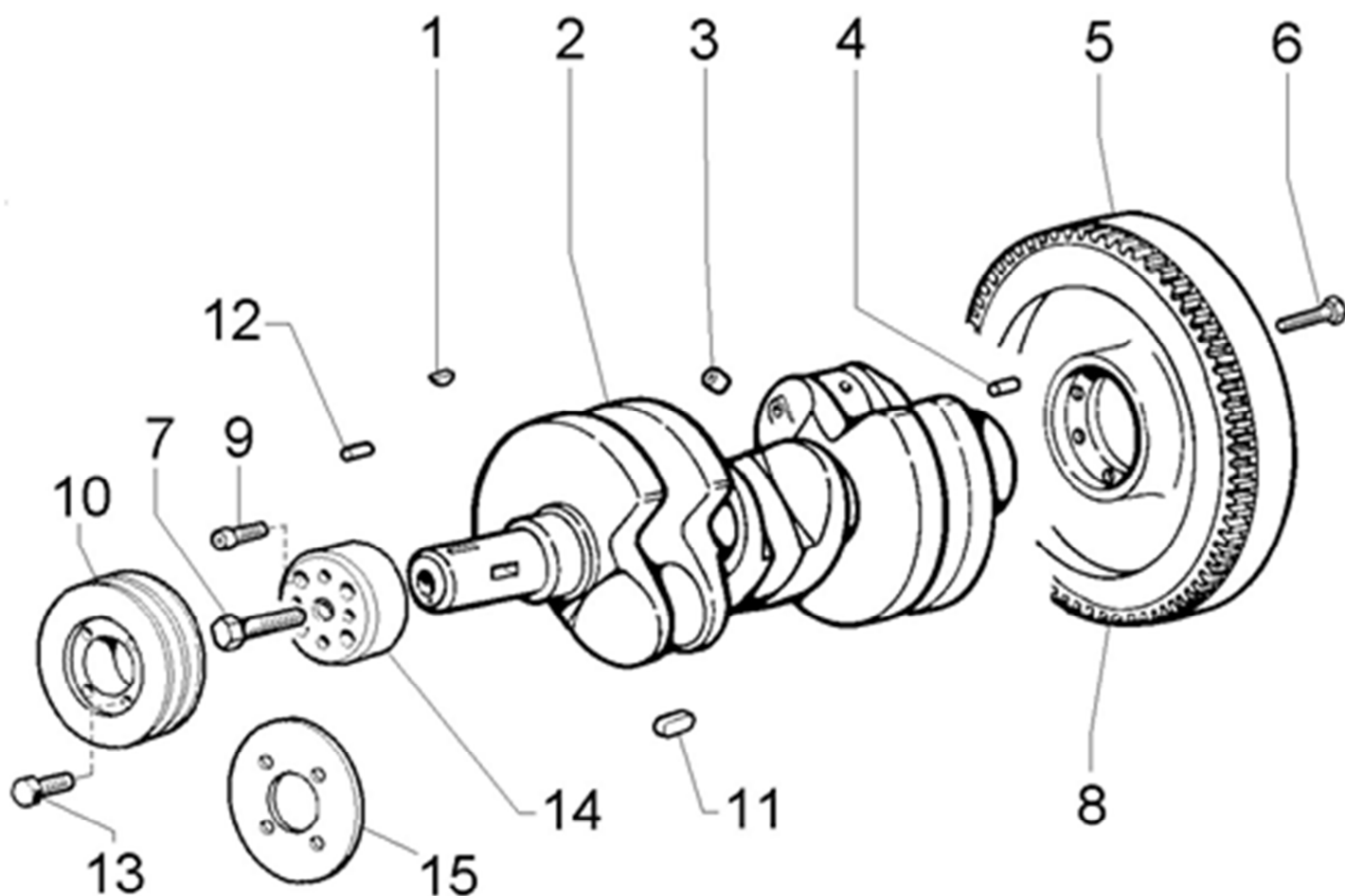
1	piston ring set
1	piston ring set
1	piston ring set
2	piston
2	piston
2	piston
3	brass
4	pin
5	seeger
6	brass
6	brass
6	brass
7	connecting rod
8	bolt



Tafel B

Tafel: c

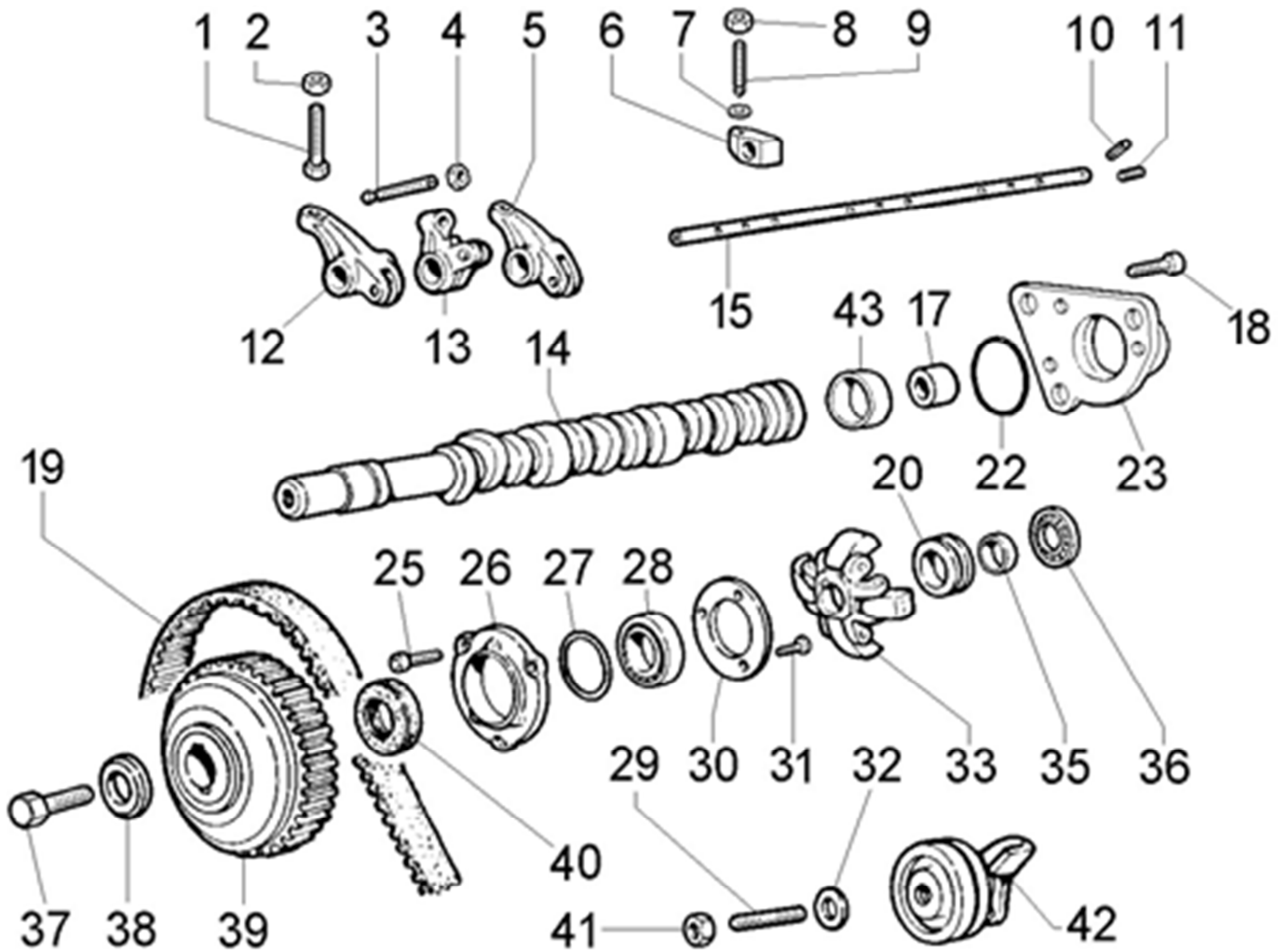
- 1 key
- 2 shaft
- 3 cap
- 4 taper pin
- 5 flywheel
- 5 6" 1/2 flywheel with crown
- 5 flywheel
- 5 flywheel
- 6 screw
- 7 screw
- 8 crown
- 9 screw
- 10 pulley new version poli-v
- 10 blower driv.pulley
- 11 key (mm 12) 2øtipo sost.146
- 11 key (mm 8)
- 12 pin
- 13 screw
- 14 flange
- 15 spacer



Tafel C

Tafel D

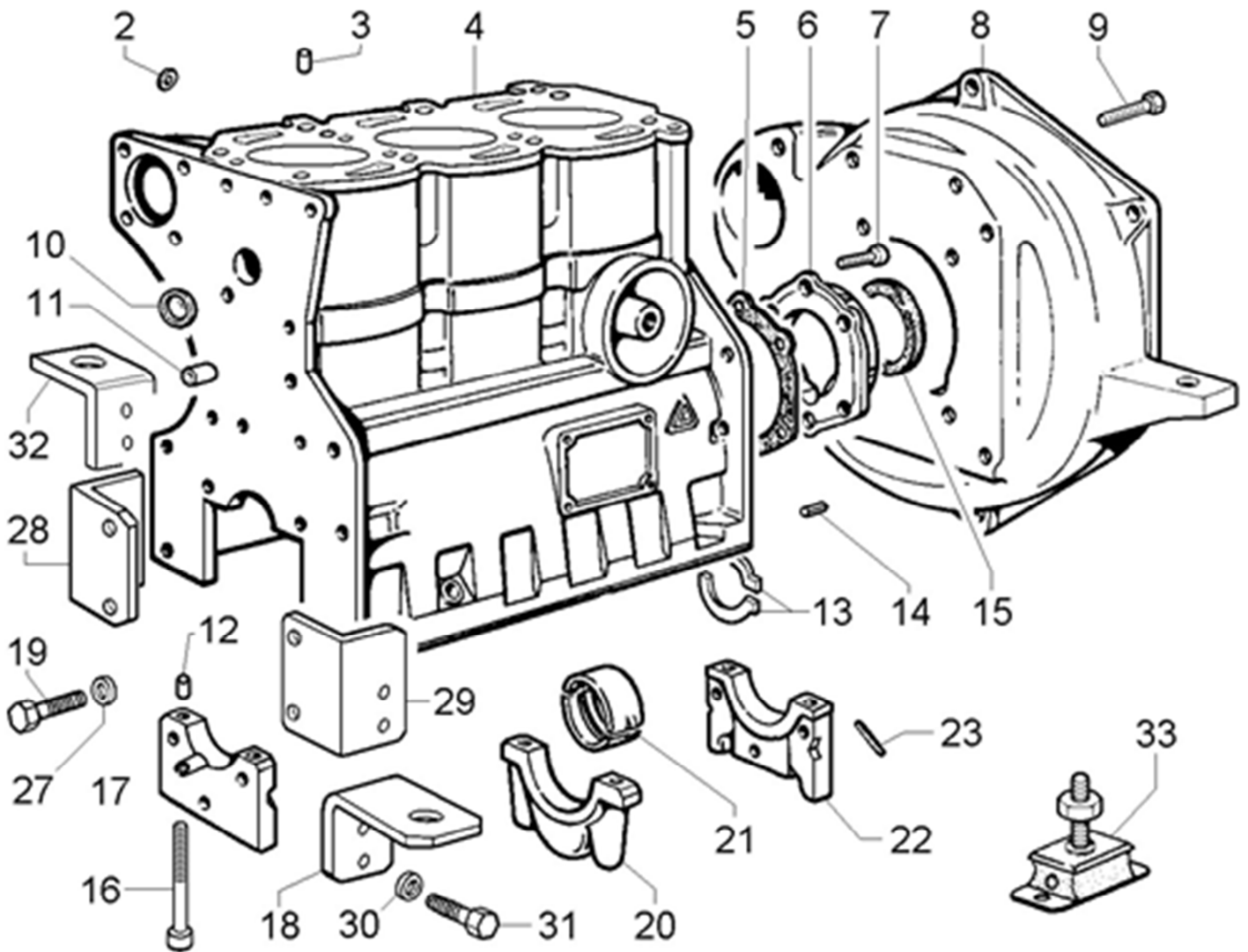
1	screw
2	nut
3	screw
4	nut
5	rocker arm
5	rocker level
6	support
7	washer
8	nut
9	stud
10	tapper pin
11	cap
12	rocker level
13	rocker level
14	camshaft
15	rocker arm shaft
17	cam
18	screw
19	belt
20	hose
22	o-ring
23	water pump support
25	screw
26	cover
27	o-ring
28	bearing
29	stud
30	plate
31	screw m 6 x 10
32	washer
33	support
35	bushing
36	bearing
37	screw
38	washer
39	pulley
40	o-ring
41	nut
42	belt tightening
43	sleeve



Tafel D

Tafel E

2	gasket
3	dowel
4	connecting rod
5	gasket
6	flange
7	screw
8	bell housing ex 315
8	short flanging bell mg
8	flanging bell standard
9	bolt
10	cap
11	screw m 12
12	dowel
13	ring
13	ring
13	ring
14	tapper pin
15	seal ring
16	screw
17	
17	
18	mount
19	bolt m 12 x 28
20	
20	
21	brass
21	brass
21	brass
22	
22	
23	joint
27	elasitc washer diam. 12
28	sd trasmission
29	mount
30	elasitc washer diam. 12
31	bolt m 12x22
32	mount
33	support



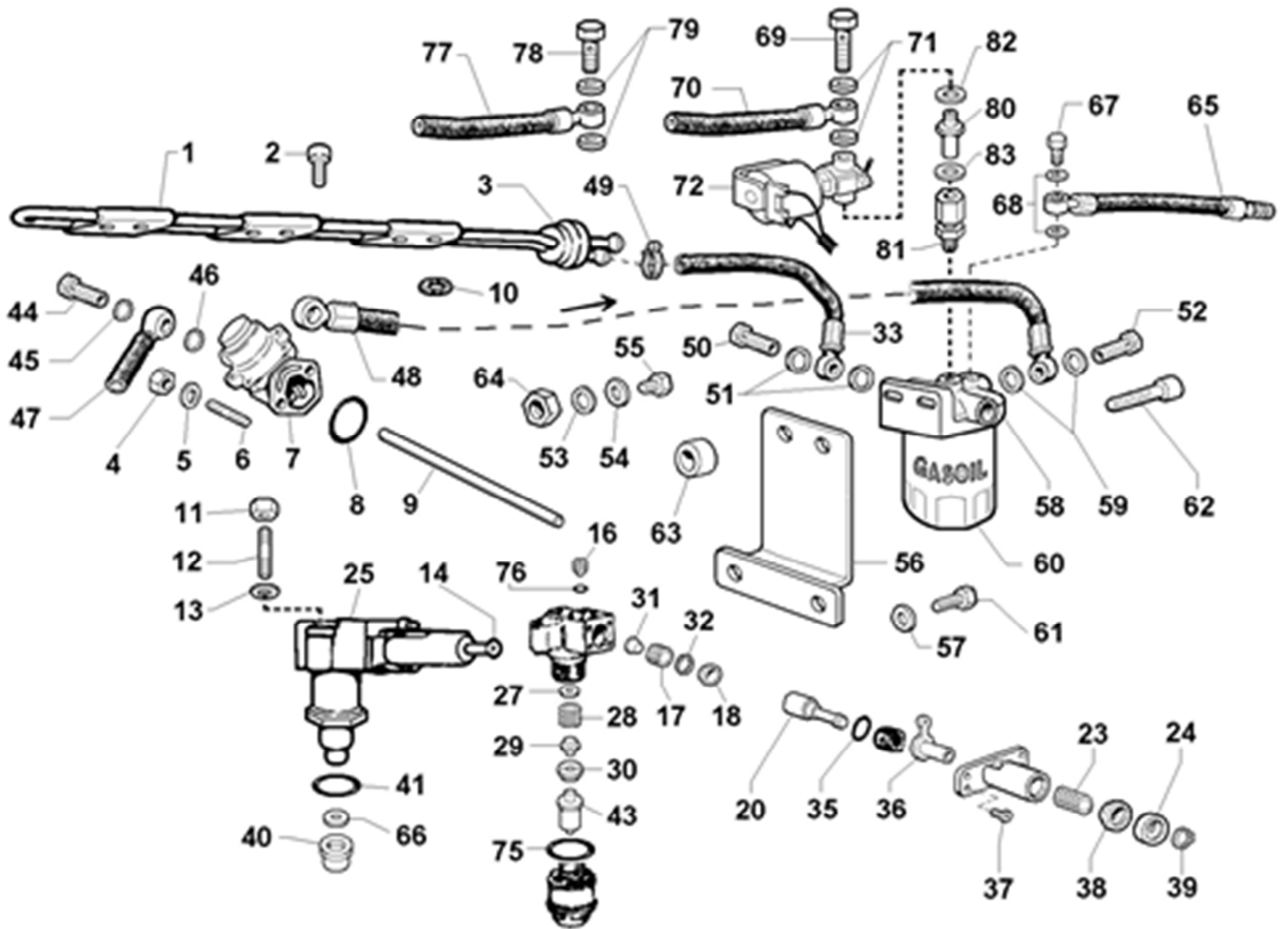
Tafel E

Tafel F

1	hose
2	screw
3	gasket
4	nut
5	washer
6	stud
7	feed pump (ex. 097)
8	o-ring
9	drive rod
10	o-ring
11	nut
12	stud
13	washer
14	tapped
16	valve
17	spring
18	valve
20	pumping element
23	spring
24	tappet
25	injection pump
27	thickness
27	thickness
27	thickness
27	thickness
27	thickness
27	adj.spacer 1,90
27	thickness
27	adj.spacer 1,80
27	thickness
27	thickness
28	spring
29	rod
30	spacer
31	filler
32	gasket
33	hose
35	o-ring
36	hose
37	screw
38	retainer
39	ring

Tafel F

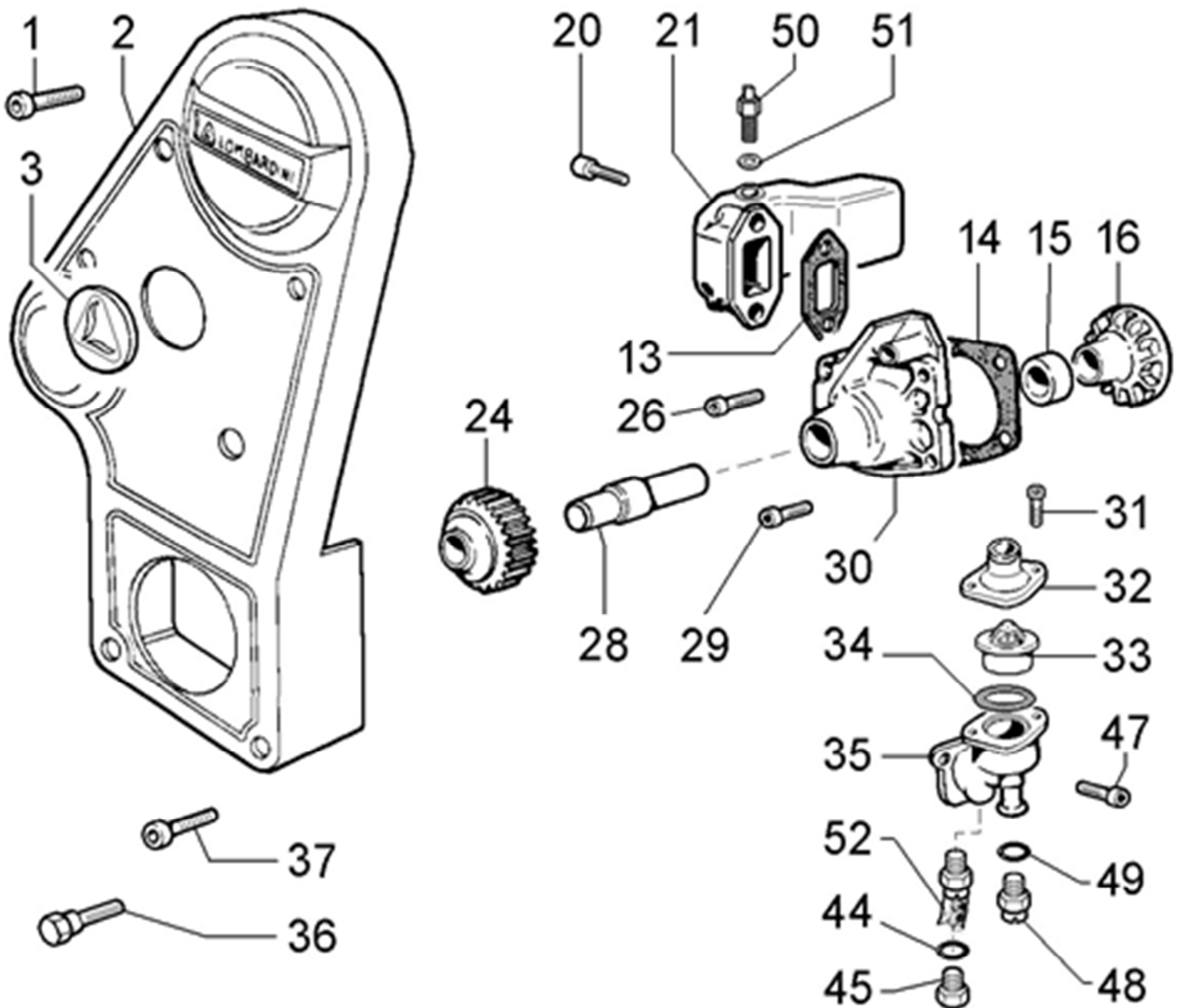
40	spark arrestor
41	o-ring
43	spray nozzle
44	bolt
45	gasket
46	gasket
47	fuel pipe between fuel pump-tank.(d9-d7)
48	tube
49	clamp
50	valve
51	gasket
52	union bolt
53	washer diam.10
54	washer diam.10
55	bolt
56	support
57	washer diam.8
58	fuel filter
59	gasket
60	cartridge
61	bolt
62	screw m 10 x 50
63	spacing
64	nut
65	fuel recirculation pipe only mg engines
65	bleed pipe focs (racc.d9-d7)
66	gasket
67	bolt
68	gasket
69	bolt
70	fuel pipe
71	gasket
72	solenoid valve with manual reset device
75	o-ring
76	gasket
77	tube
78	union bolt
79	gasket
80	union for el.stop
81	joint



Tafel F

Tafel G

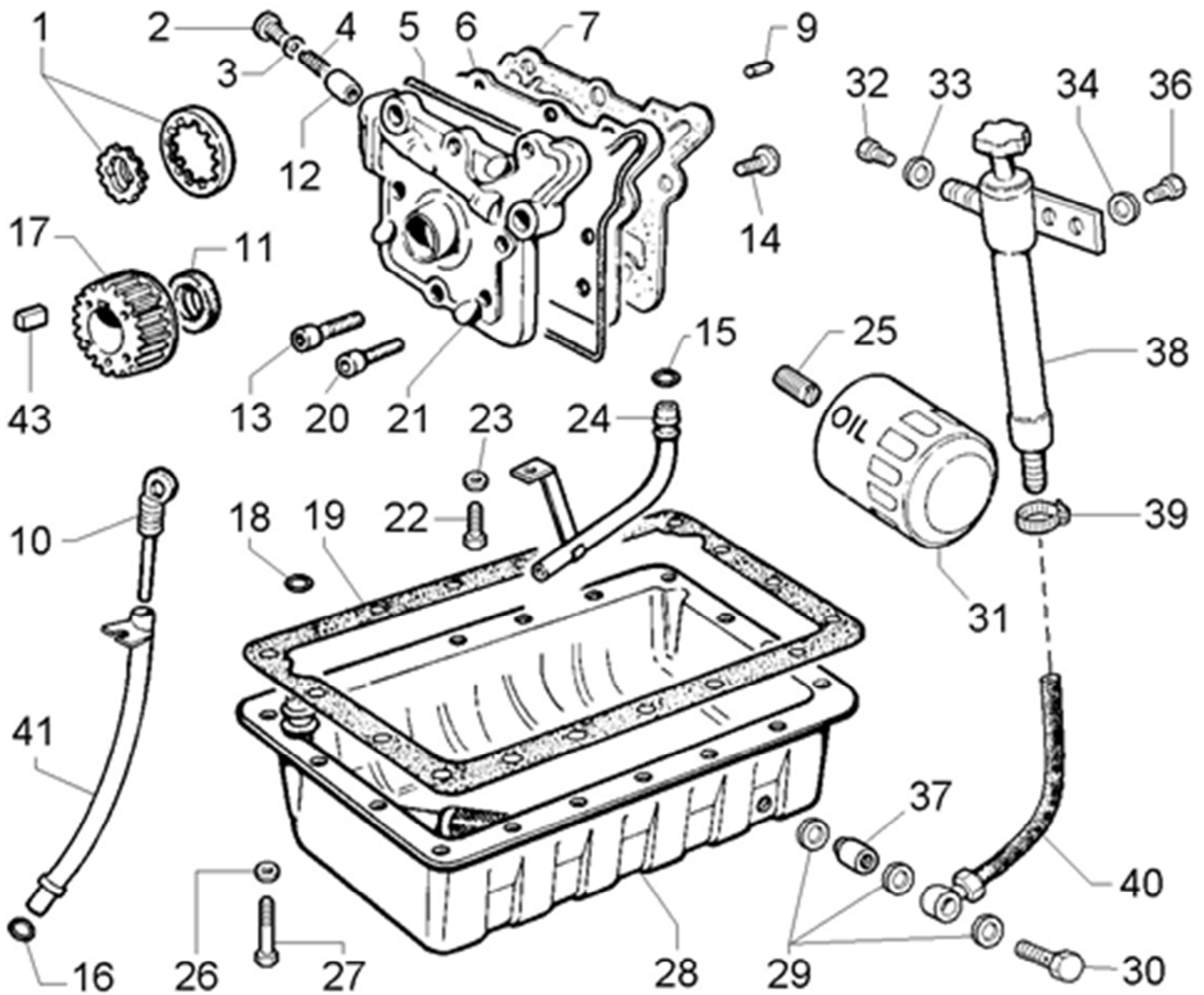
1	screw
2	belt cover
3	cap
13	gasket
14	gasket
20	screw
21	union
26	screw m 8 x 1,25 x 35
29	screw
30	water pump
31	screw
32	thermostat cover
33	thermostat
34	o-ring
35	thermostat
36	screw
37	screw
44	gasket
45	cap
47	screw
48	thermostat
48	thermistor
49	gasket
50	thermostat
51	gasket
52	hose extension x boiler



Tafel G

Tafel H

2	plug
3	gasket
4	spring
5	o-ring
7	gasket
9	tapper pin
10	oil dipstick
11	seal ring 32 x 50 x 6
12	drive rod
13	screw
14	screw m 6 x 10
15	rubber oil seal 8,00
16	o-ring
17	pulley
18	rubber oil seal
19	gasket
20	screw
21	oil pump
22	bolt
23	washer
24	hose
25	connector
26	washer
27	screw m 6 x 1 x 12
28	oil sump
29	gasket
30	screw
31	filter cartridge
32	screw
33	gasket
34	washer
36	screw
37	m14 portine focs
38	pump
39	clamp
40	tube
41	tube
43	key (mm 12) 2øtipo sost.146



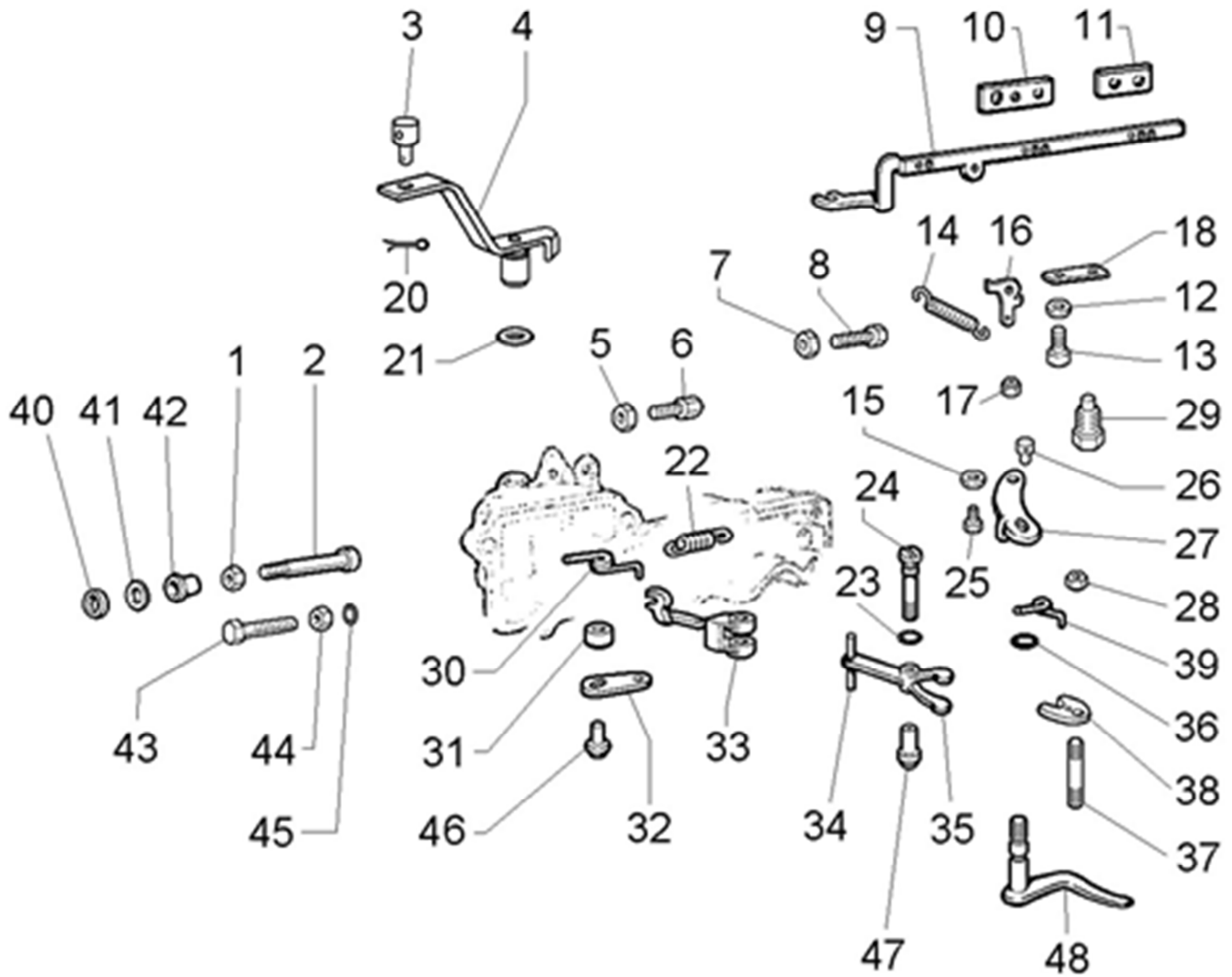
Tafel H

Tafel I

1	gasket
2	extra mg
2	extra fuel device
3	stud bolt
4	ext.lever (ex 0052011530)
5	
5	
6	cable end
7	nut
8	bolt
9	connecting rod
10	plate
11	plate
12	washer
13	screw
14	spring
15	washer
16	plate
17	nut m 4
18	plate
20	split pin
21	o-ring
22	spring
22	spring
22	spring
23	o-ring
24	control lever pin
25	screw m 5 x 0,8 x 7
26	tappet
27	lever
28	nut
29	screw
30	spring
31	sleeve
32	internal lever
33	spring lever
34	journal
35	lever
36	o-ring
37	stud m 6 x 10 (19)
38	safety plate
39	spring

Tafel I

40	nut
41	gasket
42	nut
43	bolt
44	nut
45	gasket
46	screw
47	sleeve
48	int.lever



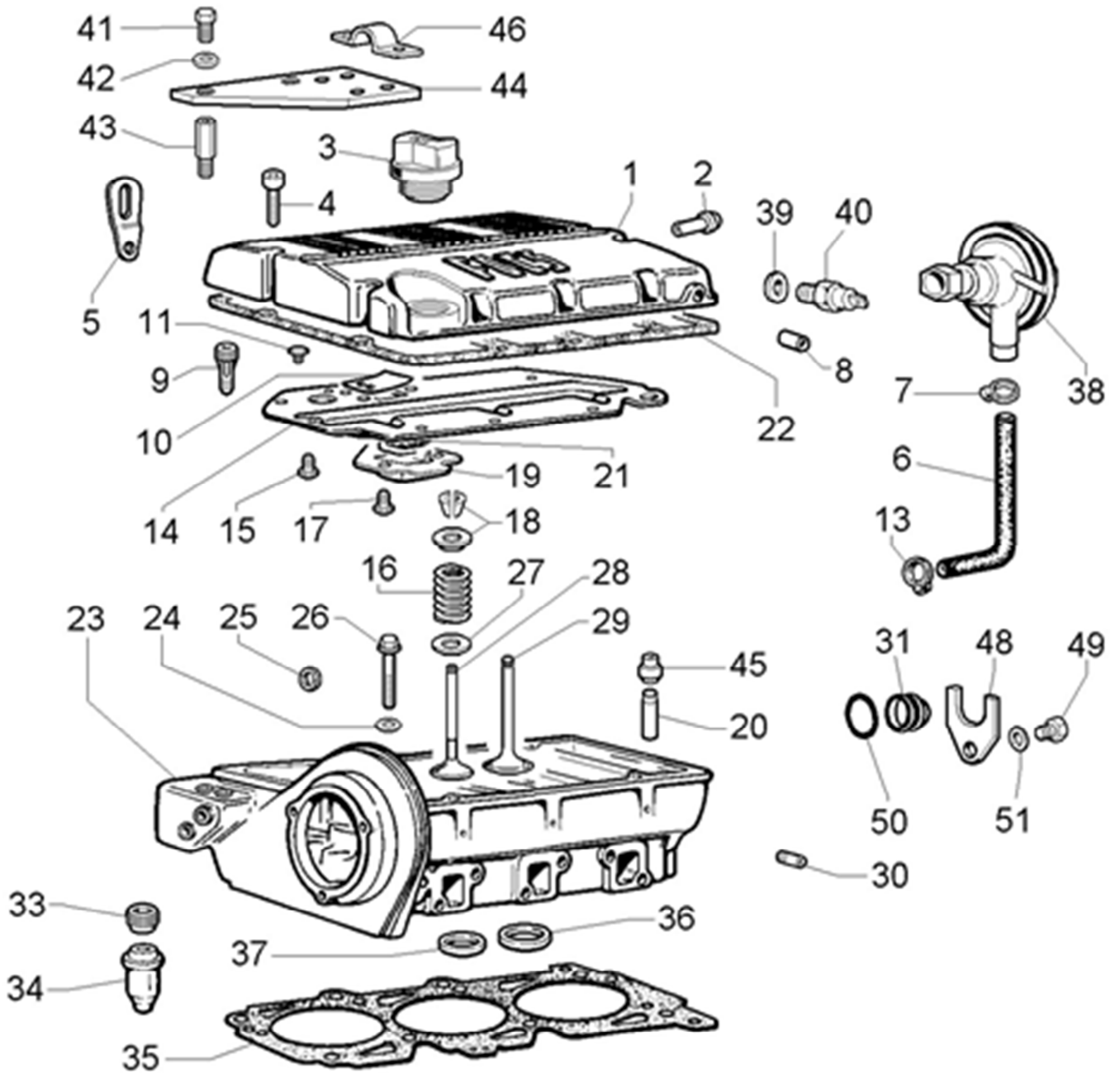
Tafel I

Tafel L

1	rocker arm cover
2	tube
3	cap
4	screw
5	brace
6	hose
7	clamp
8	plug diam. 8
9	hose
10	
10	
11	
11	
13	strip fixing
14	plate
15	
15	
16	spring
18	retainer
19	
19	
20	valve guide
20	valve guide +0,50
21	
21	
22	gasket
23	head
24	washer
25	cap
26	screw
27	washer
28	exhaust valve
29	valve
30	cap
31	plug d.30
33	nut
34	pre-chamber
35	gasket
35	gasket
35	gasket
36	valve seat
37	valve seat
38	valve
39	gasket

Tafel L:

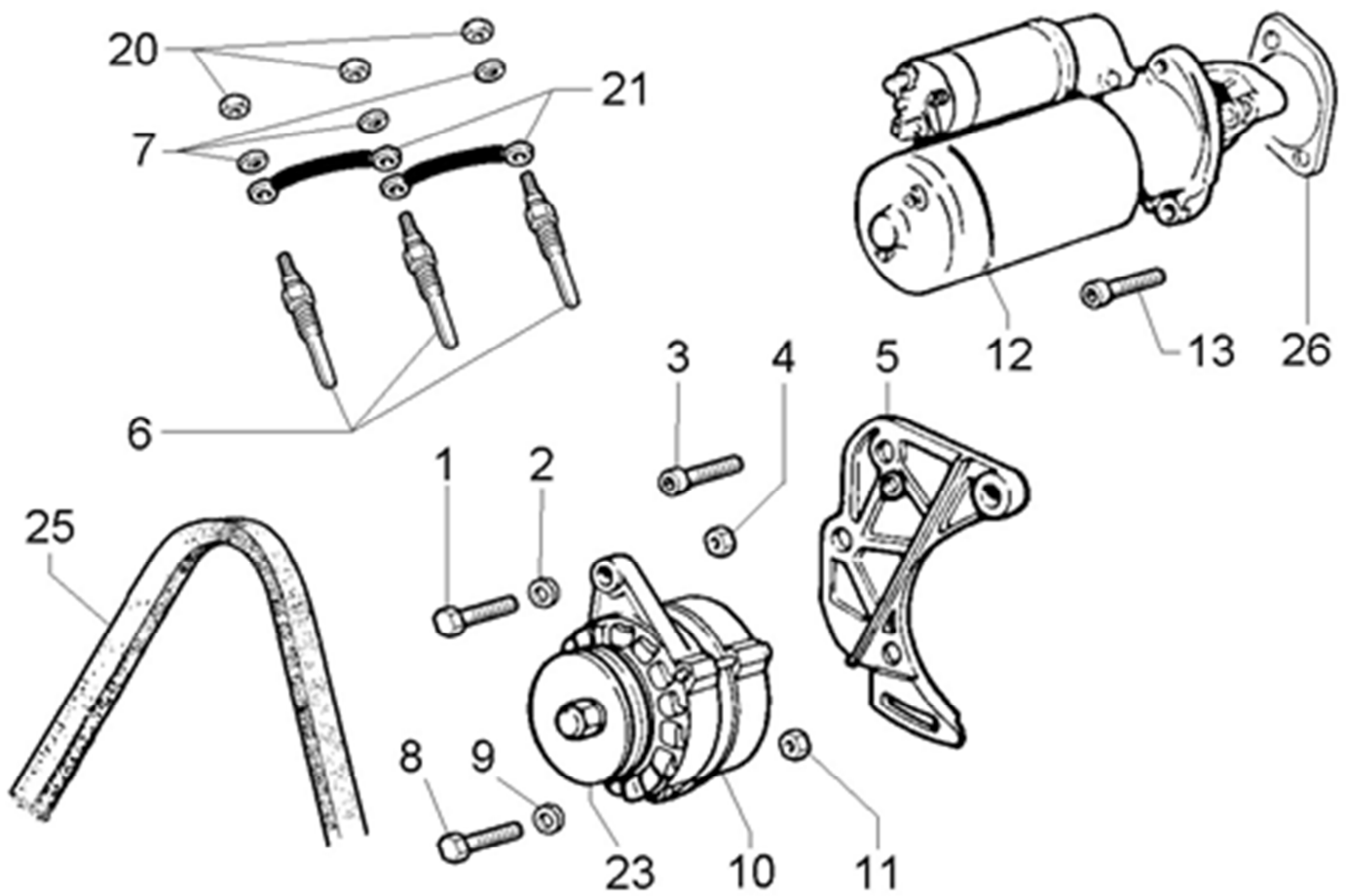
40	oil transducer
40	transducer
41	bolt
42	washer
43	stud bolt
44	braket
45	gasket
46	plaque
48	spring
49	bolt
50	o-ring
51	washer



Tafel L

Tafel M

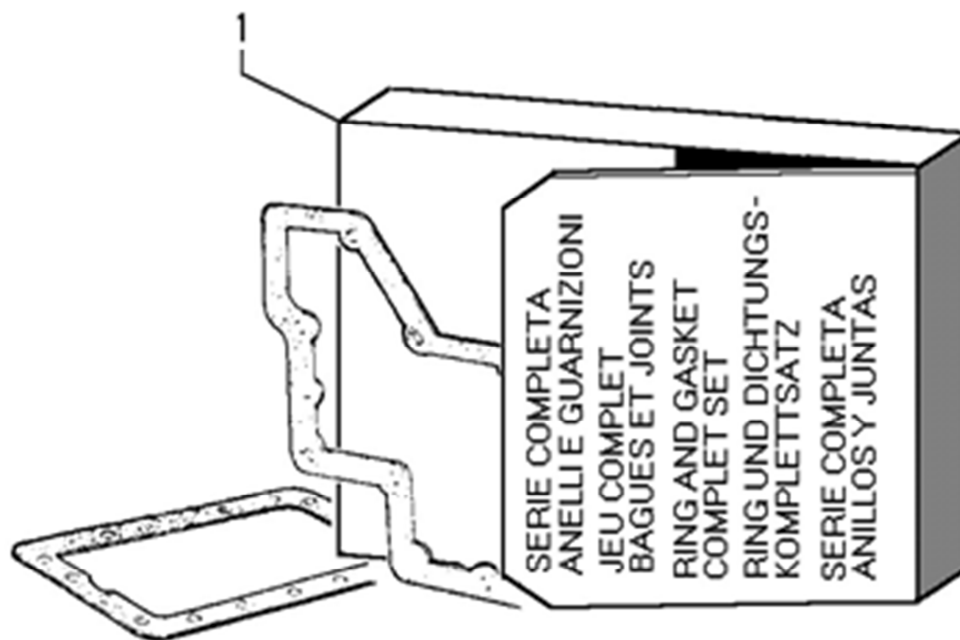
1	bolt
2	washer
3	screw
4	nut
5	support
6	glow plug
8	bolt
9	washer
10	alternator 120a new vers. poli-v ex 386
10	alternator
11	nut
12	starter
13	screw
20	nut
21	washer
21	plug wire
23	pulley new version poli-v
23	pulley
25	belt
25	belt
26	starter spacer



Tafel M

Tafel N

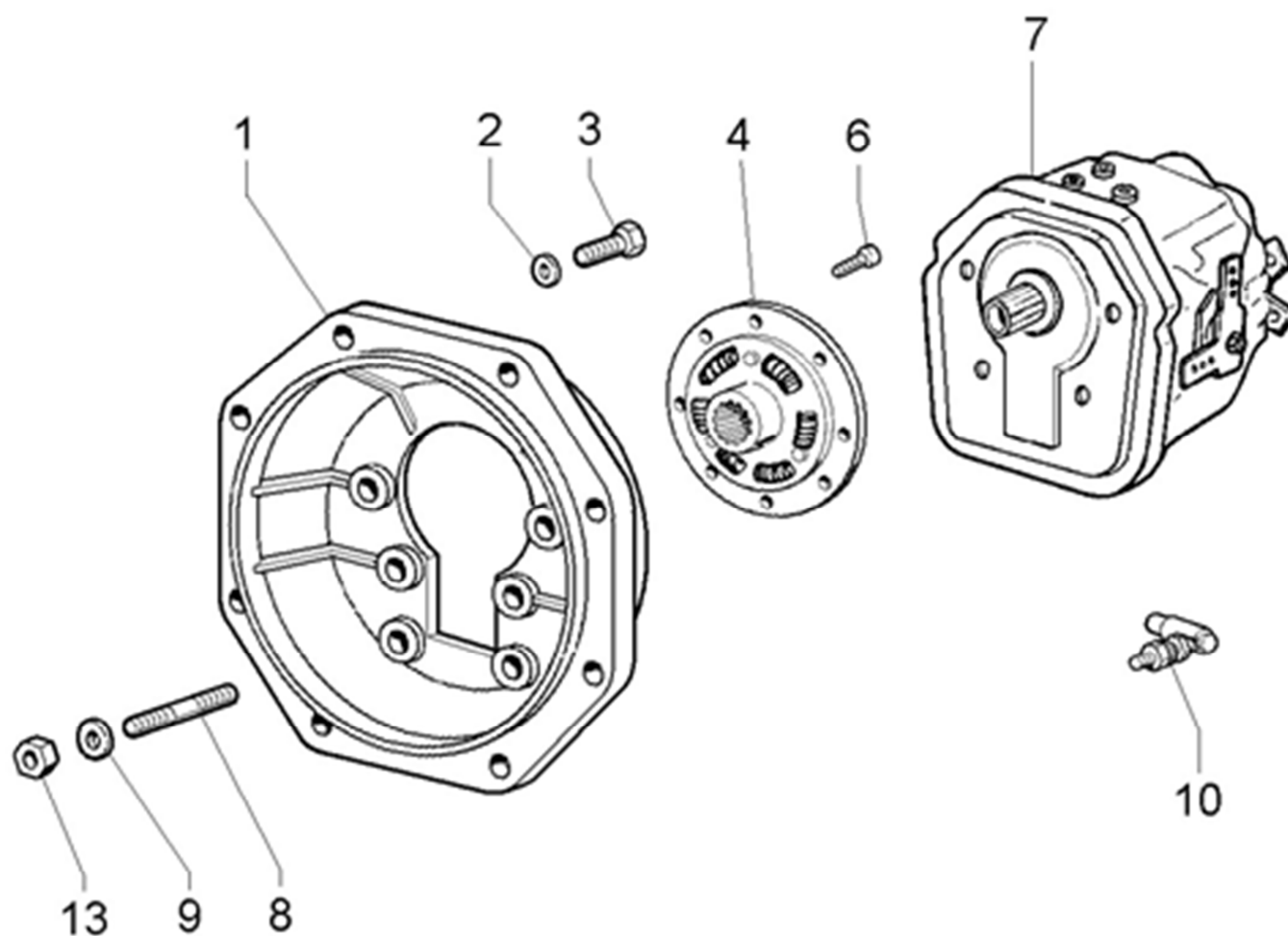
1 gasket set
1 gasket set



Tafel N

Tafel P

1	bell for tmc 60 ex 308
1	o-ring
2	washer
3	screw
4	joint
6	screw
7	technodrive rev. gear tmc 60 2,9:1
7	technodrive rev. gear tmc60 1,5:1
7	technodrive rev. gear tmc 60 a 2,45:1
7	technodrive rev. gear tmc 60 ratio 2,5:1
7	technodrive rev. gear tmc40 1,5:1
7	technodrive rev. gear tmc40 r.2:1
7	technodrive rev. gear tmc 40 ratio 2,6:1
7	technodrive rev. gear tmc 60 a 2:1
7	technodrive rev. gear tmc 60 2:1
8	stud
9	washer
10	ball joint
13	nut



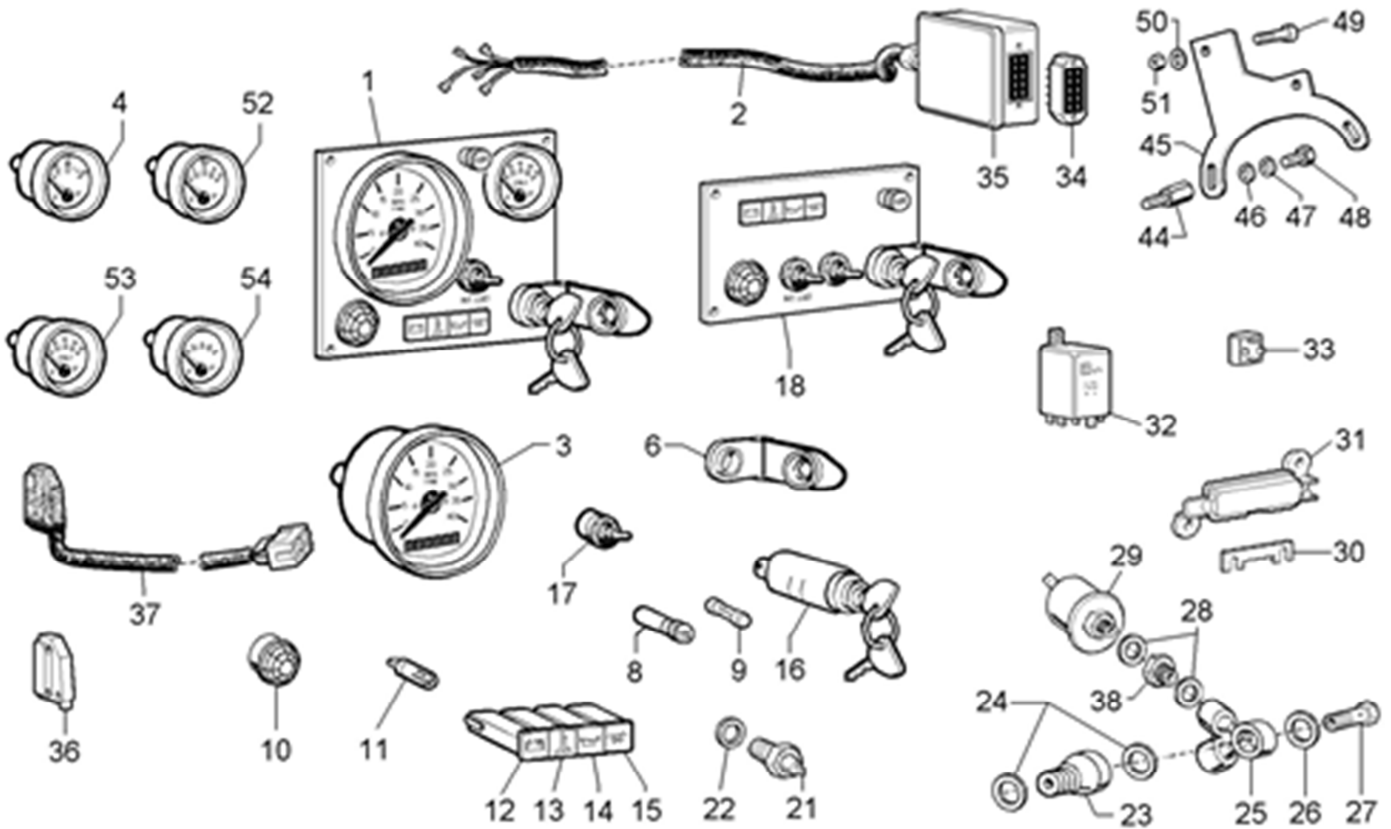
Tafel P

Tafel Q

1	control board de lux maxi
1	control board de lux
2	wiring loom
2	electric cable with connector amp
3	rev/hour counter (4500 rpm)
3	engine speed indicator
4	voltmeter
6	cover
8	fuse carrier
9	fuse
10	bell
11	lamp
12	pilot lamp
13	pilot lamp
14	oil window
15	pilot lamp
16	starting switch
17	switch
17	exhaust riser for lmg
18	std plus control panel
21	gasket
21	transducer
22	gasket
23	union
24	gasket
25	lubrication oil pressure sense wye
26	gasket
27	screw
28	gasket
29	transducer
30	fuse
31	fuse box
32	glow plugs control box
33	rele' 12v 20a
34	rtg female connector - 12 poles
35	electric box (not available)
36	rtg male connector -12 poles
37	extention cable - 5 m
37	cable extention+connector 10 m telve
37	cable extention+connector 15 m telve
38	connector

Tafel Q

44	bell support locking stud 1204t
45	support for wiring
46	washer
47	washer
48	screw
49	socket cap screw m5x16 uni 5931 inox
50	washer d. 5
51	nut
52	gasket
52	water temp. meter
53	oil temp. meter
54	oil pressure instrument



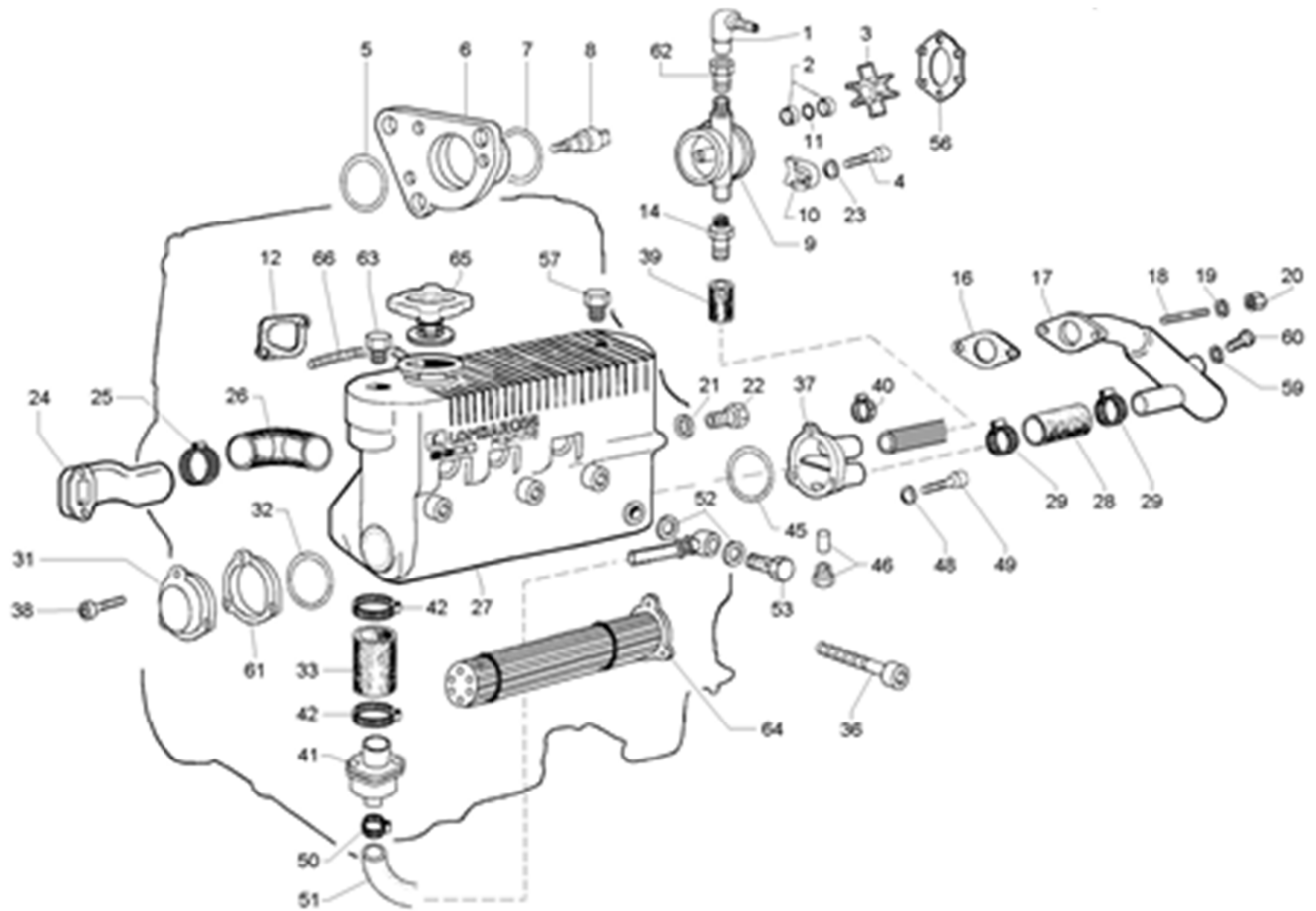
Tafel Q

Tafel R

1	connector
2	set of seals for pump jabsco
2	o-ring
3	impeller
3	impeller2
4	screw
5	
5	
6	
6	
7	o-ring
8	joint
9	pump
10	block
12	gasket
14	connector
16	gasket for riser focs (ex 0045010980)
17	riser
18	stud bolt
19	washer
20	nut
21	gasket
22	cap
23	spring washer 8 din 137b inox
24	
24	
25	clamp
26	tube
27	radiator ex 243
28	tube
29	clamp
31	rear cover
32	sealing oring
33	tube
36	screw
37	cover
38	screw
39	tube

Tafel R

40	clamp
41	
41	
42	clamp
45	sealing oring
46	cap
49	screw
50	clamp
51	tube
53	screw
56	gasket
57	plug for exchanger 1/8" gas
59	gasket
60	cap
61	spacer for rad. focs
62	nipple
63	plug
64	tube nest
65	cap
66	tube

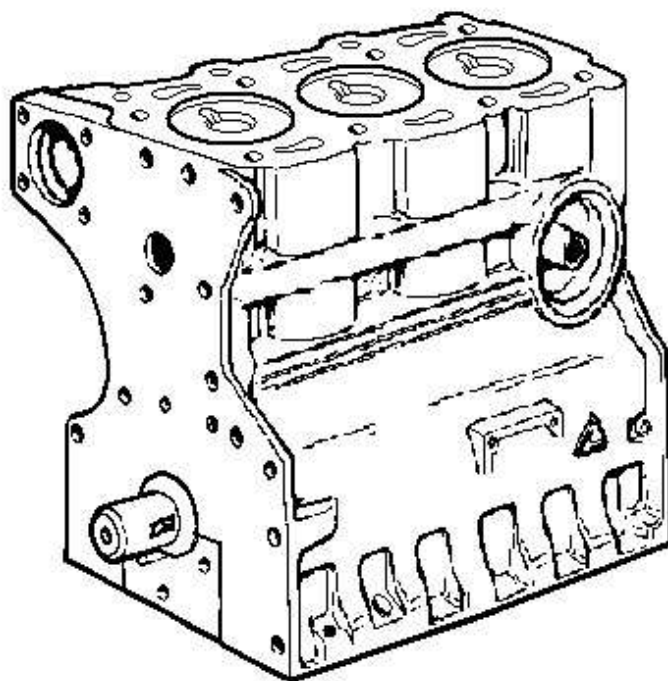


Tafel R

Tafel S

1 engine block

1560.297



ATTENZIONE: LO SHORT BLOCK E' COMPOSTO DA BASAMENTO, ALBERO MOTORE, BIELLE E PISTONI GIA' PREMONTATI

ATTENTION: THE SHORT BLOCK IS BUILT-UP BY CRANK-CASE, CRANK-SHAFT, CONNECTING RODS AND PISTONS ALREADY ASSEMBLED.

Tafel S